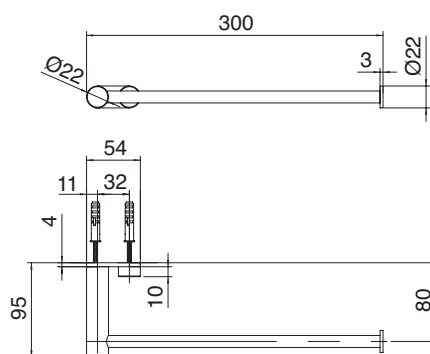


TOWEL HOLDER 300MM

PRODUCT: 33A06003A00SS



CONSTRUCTION: 316 Stainless Steel

SIZE (MM): 300

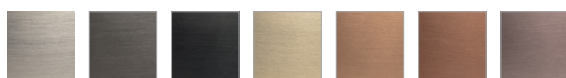
WARRANTY: 10 years (2 years labour)

LEAD FREE: Yes

FEATURES

- Made from 316 Stainless Steel
- Available in 7 colours (some by special order)
- Made in Italy

AVAILABLE FINISHES*:



Brushed
Stainless
Steel
Code: SS

Gunmetal
Code: GM

Black[^]
Code: BK

White Gold[^]
Code: WG

Cognac[^]
Code: CC

Copper[^]
Code: BC

Copper
Bronze[^]
Code: CB

[^] Indicates special order only — no held stock.

Please note, accessories, wastes, overflows and tapware are not included unless stated. All measurements are nominal only, please measure product on site before installation. Actual colours may vary. Product must be installed as per manufacturers instructions.